

BALDOR® • RELIANCE 

Product Information Packet

CPX40146T

100//75HP,1780//1485RPM,3PH,60//50HZ,405

Part Detail							
Revision:	C	Status:	PRD/A	Change #:		Proprietary:	No
Type:	AC	Elec. Spec:	A40WG0692	CD Diagram:	416820-002	Mfg Plant:	
Mech. Spec:		Layout:	617433-605	Poles:	04	Created Date:	02-12-2019
Base:		Eff. Date:	04-02-2019	Leads:	3#2,6#4		

Specs			
Catalog Number:	CPX40146T	Enclosure Modification:	Severe Duty Features
Enclosure:	TEFC	Feedback Device:	NO FEEDBACK
Frame:	405T	Heater Indicator:	No Heater
Frame Material:	Iron	Insulation Class:	F
Output @ Frequency:	100.000 HP @ 60 HZ	Inverter Code:	Inverter Ready
Synchronous Speed @ Frequency:	1800 RPM @ 60 HZ	IP Rating:	IP55
Voltage @ Frequency:	460.0 V @ 60 HZ	KVA Code:	G
	230.0 V @ 60 HZ	Motor Lead Quantity/Wire Size:	3 @ 2 AWG
XP Class and Group:	CLI GP C,D; CLII GP E,F,G	Motor Type:	A40064M
XP Division:	Division I	Mounting Arrangement:	F1
Agency Approvals:	CCSA US	Power Factor:	87
	CSA	Product Family:	General Industrial
	CSA EEV	Pulley End Bearing Type:	Ball
	UL	Pulley Face Code:	Standard
Auxillary Box:	No Auxillary Box	Shaft Ground Indicator:	No Shaft Grounding
Base Indicator:	Rigid	Shaft Rotation:	Reversible
Bearing Grease Type:	Polyrex EM (-20F +300F)	Shaft Slinger Indicator:	Shaft Slinger
Constant Torque Speed Range:	6-60	Speed Code:	Single Speed

Current @ Voltage:	224.000 A @ 230.0 V	Motor Standards:	NEMA
	112.000 A @ 460.0 V	Starting Method:	Direct on line
Design Code:	B	Thermal Device - Bearing:	None
Drip Cover:	No Drip Cover	Thermal Device - Winding:	Normally Closed Thermostat
Duty Rating:	CONT	XP Temp Code:	T3C

Nameplate NP2496L	
MOBIL POLYREX EM	

Nameplate 000613006PC		
CLASS I GROUP	C D X	NO. <input type="text"/>
CLASS II GROUP	E F G	
OPERATING TEMP CODE	T3C <input type="text"/>	

Nameplate 000901002AAA	
SUIT @ 55C AMB AT 1.00 SF AT SINEWAVE	

Nameplate NP3140L										
SPEC NO.	A40-7253-0692			CAT.NO.	CPX40146T			FRAME	405T	
HP	100	VOLTS	230/460		PHASE	3	DESIGN	B	TYPE	P
RPM	1785	AMPS	224/112		HZ	60	AMB	40	SF	1.00
DRIVE END BEARING	80BC03J30X			DUTY	CONT		INSUL.CLASS	F		
OPP D.E. BEARING	80BC03J30X			ENCL	TEFC	CODE	G			
SF	1.15	WK2	26.3		MAG CUR	28.6		RPM MAX	3600	
CT HZ	6-60		VT HZ	0-60		CHP HZ	60-90		NEMA-NOM-EFF	95.4
SER.NO.	IP66									
				MOTOR WEIGHT						

Parts List		
Part Number	Description	Quantity
SA366133	SA A40-7253-0692	1.000 EA
RA355539	RA A40-7253-0692	1.000 EA
421948032	LABEL, MYLAR	1.000 EA
NP2496L	MOTOR LUBE NAMEPLATE	1.000 EA
000692000VD	LABEL WARNING	1.000 EA
LB1073	ALUM XP CAUTION LABEL	1.000 EA
000613006PC	N/P U/L (REL QTY 500)	1.000 EA
000901002AAA	N/P BLANK (RELEASE QTY 1,500)	1.000 EA
NP3140L	INVERTER DUTY, SS, CC, CSA-C US, CSA EEV	1.000 EA
HW4505A02	BREATHER/DRAIN-EXP PROOF-.250-18 PTF AIS	2.000 EA
609158001E	SLGR - 400	1.000 EA
603284001Y	SLGR - 400	1.000 EA
089416503B	G400 BRKT MCHG 6316 BE OR FE TACONITE	1.000 EA
415072001B	CLAMP	1.000 EA
083198101A	G400 STD FAN COVER MACHINING	1.000 EA
034180012DA	KEY 1X4X1/4X1-1/2 L	1.000 EA
078548001R	FAN KB 234/150 (84) 400	1.000 EA
004824015A	GREASE POLYREX EM	0.880 LB
032130022GB	HSACS 7/8-9X2-3/4 PLTD.	4.000 EA
032018008CK	HHCS 3/8-16X1L PLATED	4.000 EA
032018024CK	HHCS 3/8-16X3 PLTD.	3.000 EA
415096002A	CPLG 1/8 HEX TYPE	1.000 EA
415044051AX	SLINGER,DE 6316 G400	1.000 EA
410700000DA	WAVY SPRING WASHER	1.000 EA

Parts List (continued)		
Part Number	Description	Quantity
034000014AB	WSH ID.406 OD.812 TH.065	4.000 EA
034530052AB	P/NIP 1/8X6-1/2 GALV.	1.000 EA
034530056BB	P/NIP 1/4X7 SCHED 40	1.000 EA
032620016KB	HSRSS; 1/4X1/2	2.000 EA
034690001AB	1/8" NPT SQHDPLG	1.000 EA
034631002AB	BUSH 1/4 TO 1/8 PLTD.	1.000 EA
034690002AB	PPLG 1/4" PLTD.	1.000 EA
089416503B	G400 BRKT MCHG 6316 BE OR FE TACONITE	1.000 EA
032018024CK	HHCS 3/8-16X3 PLTD.	3.000 EA
415044051AX	SLINGER,DE 6316 G400	1.000 EA
034017014AB	LCKW 3/8 STD. PLATED	3.000 EA
032620016KB	HSRSS; 1/4X1/2	1.000 EA
034530024AB	PNIP 1/8X3L PLATED	1.000 EA
415096002A	CPLG 1/8 HEX TYPE	1.000 EA
032130024GB	HSRCS 7/8-9NC X 3" LONG PLATED	4.000 EA
16CB1001A01	CONDUIT BOX MACH GRP C MTRS 16CB1001	1.000 EA
16CB1501A01	CONDUIT BOX LID MACH.GRP C MTRS 16CB1501	1.000 EA
418150003A	GREASE FITTING CAP	1.000 EA
406055001D	GRFTG	1.000 EA
034017018AB	5/8 MED LOCK WASHER ZP	8.000 EA
034017014AB	LCKW 3/8 STD. PLATED	4.000 EA
035000001A	ALFTG 1/8" 1610-BL	1.000 EA
035000001A	ALFTG 1/8" 1610-BL	1.000 EA
032130016EB	HSRCS 5/8-11X2 PLTD.	8.000 EA

Product Information Packet: CPX40146T - 100//75HP,1780//1485RPM,3PH,60//50HZ,405

047024002J	TERMINAL LUG - MAKE FROM 047024002F	1.000 EA
406099000A	PLUG - FAN COVER 320-440	1.000 EA
032018008DK	HHCS 1/2-13X1 PLATED	1.000 EA
034017016AB	LCKW 1/2" PLATED	1.000 EA
032130014CB	HSHCS 3/8-16X1-3/4 PLTD.	4.000 EA
406055001D	GRFTG	1.000 EA
418150003A	GREASE FITTING CAP	1.000 EA
004824003CEH	WILKO PAINT 789.229 DARK GREY CHARCOAL T	0.375 GA
033775004EA	DRSCR #6-1/4 304 S.S.	8.000 EA
034180045JA	KEY,DE	1.000 EA
604797045	STD. 400 FRAME SKID	1.000 EA
032510024D	CARRIAGE BOLT - 444	2.000 EA
034001014AB	FLAT WASHER 3/8"PLATED	2.000 EA
034001016AB	WSHR .562ID 1.375OD .109	2.000 EA
033300014AC	HEX NUT, SHIPPING - 400	2.000 EA
604799003C	PLASTIC BAG 42X32X46	1.000 EA

REL. S.O.	FRAME	HP	TYPE	PHASE/HERTZ	RPM	VOLTS
	405TCZ	100	P	3/60	1785	230/460
AMPS	DUTY	AMB °C/ INSUL.	S.F.	NEMA DESIGN	CODE LETTER	ENCL.
224/112	CONT	40/F	1.15	B	G	TEFC
E/S	ROTOR	TEST S.O.	TEST DATE	STATOR RES @25 °C (OHMS BETWEEN LINES)		
596956	418142-33-RE	---	---	.0123/.0492		

PERFORMANCE

LOAD	HP	AMPERES	RPM	POWER FACTOR %	EFFICIENCY %
NO LOAD	0	28.6	1800	5.49	0
1/4	25.0	39.2	1796	64.3	93.0
2/4	50.0	59.5	1792	82.5	95.4
3/4	75.0	84.6	1788	86.7	95.7
4/4	100	112	1783	87.4	95.4
5/4	125	141	1778	87.3	94.9

SPEED TORQUE

	RPM	TORQUE % FULL LOAD	TORQUE LB.-FT.	AMPERES
LOCKED ROTOR	0	151	445	725
PULL UP	360	136	400	706
BREAKDOWN	1721	250	735	382
FULL LOAD	1783	100	295	112

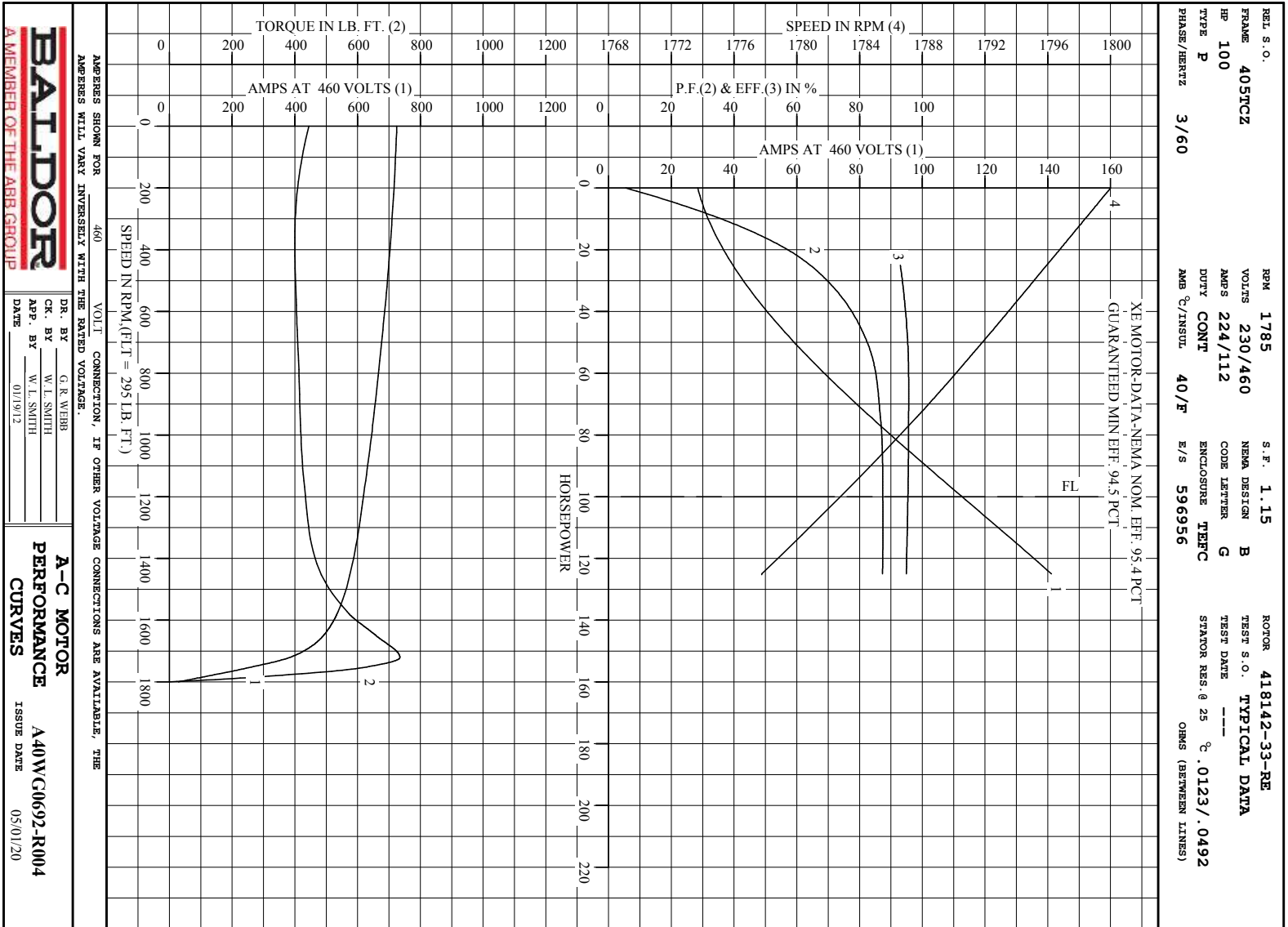
AMPERES SHOWN FOR 460. VOLT CONNECTION. IF OTHER VOLTAGE CONNECTIONS ARE AVAILABLE, THE AMPERES WILL VARY INVERSELY WITH THE RATED VOLTAGE

REMARKS: TYPICAL DATA
 XE MOTOR-DATA-NEMA NOM. EFF. 95.4 PCT
 GUARANTEED MIN EFF. 94.5 PCT



DR. BY G. R. WEBB
 CR. BY W. I. SMITH
 APP. BY W. I. SMITH
 DATE 01/19/12

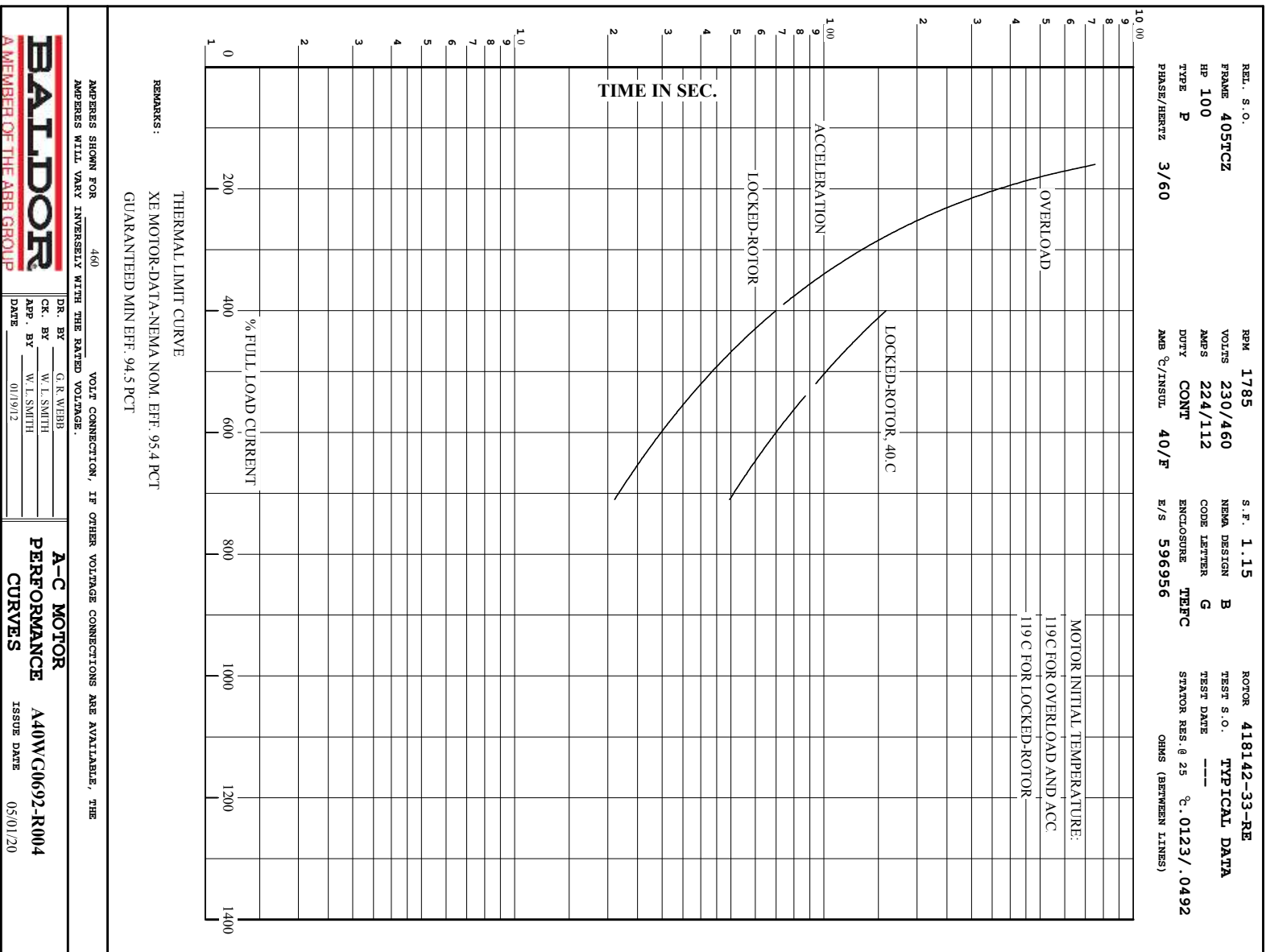
A-C MOTOR PERFORMANCE DATA
A40WG0692-R004
 ISSUE DATE 05/01/20



APPROX SHOWN FOR 460 VOLT CONNECTION, IF OTHER VOLTAGE CONNECTIONS ARE AVAILABLE, THE AMPS WILL VARY INVERSELY WITH THE RATED VOLTAGE.

BALDOR
A MEMBER OF THE ABB GROUP

DR. BY G. R. WEBB	A-C MOTOR
CHK. BY W. L. SMITH	PERFORMANCE
APP. BY W. L. SMITH	A40WC0692-R004
DATE 01/9/12	CURVES
	ISSUE DATE 05/01/20



DUTY MASTER ALTERNATING CURRENT MOTORS

SQUIRREL-CAGE INDUCTION

FRAME G405T

ENCLOSURE: X/P, UNDERWRITERS LISTED

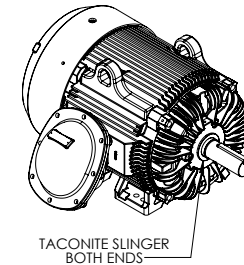
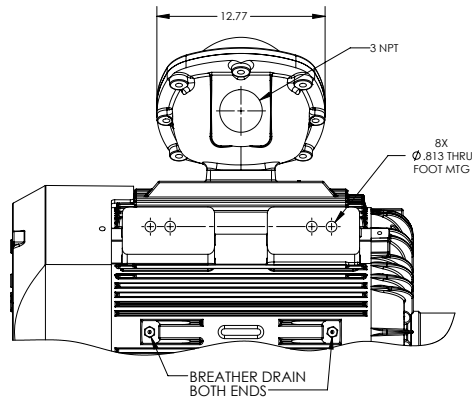
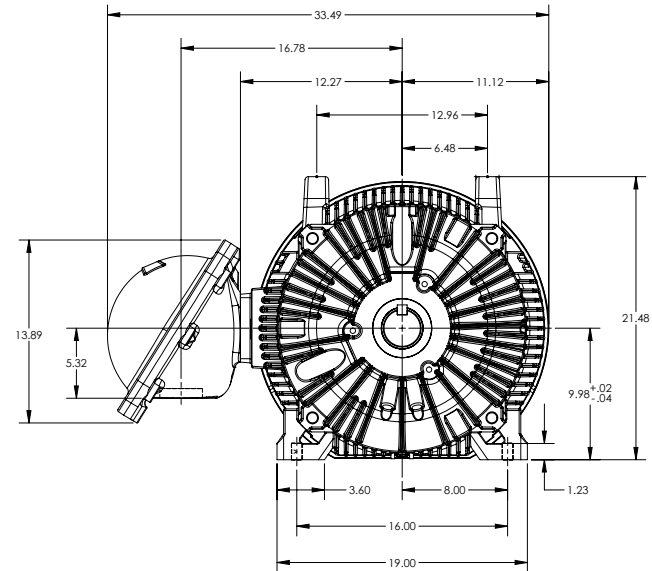
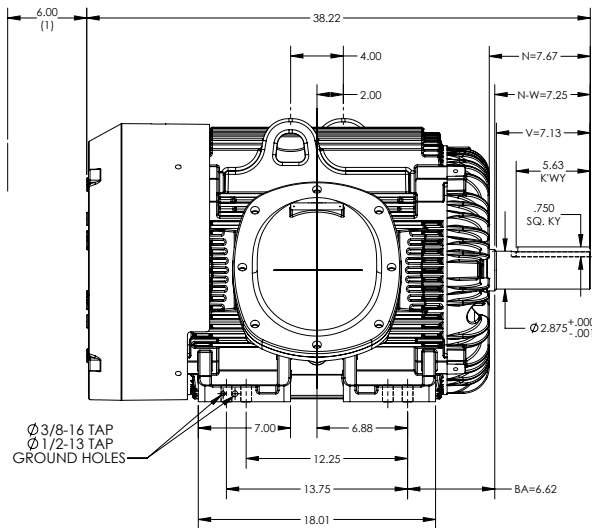
INCLUDES 404T FRAME MOUNTING HOLES
STD CAST IRON C/BOX

COOLING: FAN COOLED

MOUNTING: FOOT, F-1

CL1-GROUP C&D - CL2-GROUP E,F & G

ENCLOSURE ENHANCEMENT: SEVERE DUTY



(1) OBSTRUCTION MUST NOT ENCR OACH AIR INLET
IF MOUNTING CLEARANCE DETAILS ARE REQUIRED, CONSULT FACTORY.
MAXIMUM PERMISSIBLE SHAFT RUNOUT WHEN MEASURED AT END OF
STANDARD SHAFT EXTENSION IS .003 MAX. T.I.R.
WEIGHT: 1400 LBS ±15% DEPENDING ON RATING.

DIMENSIONS ARE IN INCHES.
CUSTOMER IS RESPONSIBLE FOR DETERMINING THAT MOTOR PERFORMANCE IS SUITABLE IN THE APPLICATION.

SHEET NUMBER
1 OF 1
S09-EEZL19

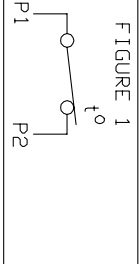
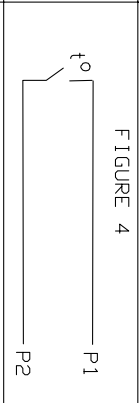
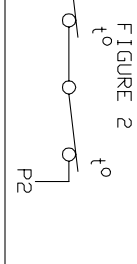
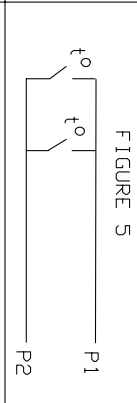
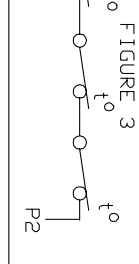
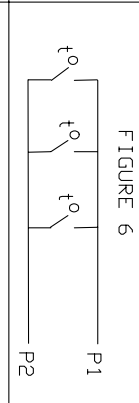
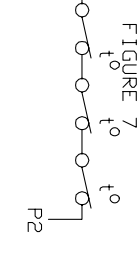
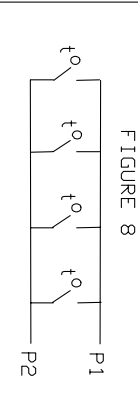
REV. DESC: NEW	VERSION: 00	REVISED: 02-31-08 02/07/2019	TDR: 000001098248
MODEL NO. 617433-605	REF: -	BY: RAGSSI	Material: -

BALDOR
G405T-404T XP F1 FT-CL1 GRP C&D - CL2 GRP E,F&G

617433-605

CONNECTION DIAGRAM ACCESSORIES

MOTOR WINDING THERMOSTATS	
CONTACTS _____ @ _____ °C	
FIGURE NUMBER _____	
CONTACT RATING	
VOLTS	CONTACT RATING CONTINUOUS AMPERES
110-120	3.0
220-240	1.5
440-480	0.75
550-600	0.60
	INRUSH AMPERES
	30
	15
	7.5
	6.0

NORMALLY CLOSED	THERMOSTATS	NORMALLY OPEN
 <p>FIGURE 1</p>		 <p>FIGURE 4</p>
 <p>FIGURE 2</p>		 <p>FIGURE 5</p>
 <p>FIGURE 3</p>		 <p>FIGURE 6</p>
 <p>FIGURE 7</p>		 <p>FIGURE 8</p>

CUSTOMER _____ CUSTOMER ORDER NO. _____ S.D. NO. _____

418174-006

418174-006

REV. DESC: LOADED TO BUS		TDR: 000000570390
REV. LTR: A	VERSION: 01	BY: RAGDRF
FILE: \RAG\00013\849	REVISED: 10:16:21 12/07/2010	
MTL: -		

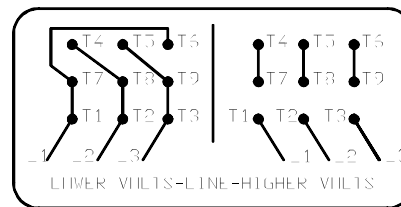
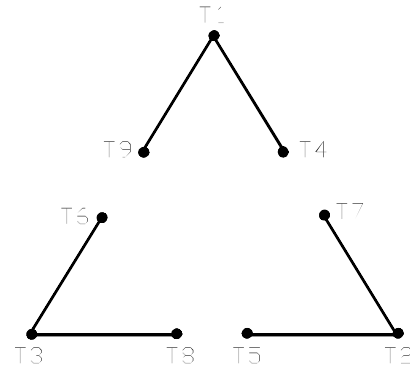
BALDOR

A-C MOTOR CONNECTION ACCESSORIES

SH 1 of 1

416820-002

A-C MOTOR
 CONNECTION DIAGRAM
 STANDARD 9 LEAD DELTA-CONNECTED



(N.P. 1575-B)

416820-002

REV. DESC: FONT CHANGE FOR PDF SEARCHABLE		
REV. LTR: A	VERSION: 01	TDR: 000001009382
FILE: \MGA\00000\661	REVISED: 02:46:19 02/13/2020	BY: MGHMTT
MTL: -	⊙ □	

BALDOR - RELIANCE®

CONN DIAG - STANDARD 9 LEAD, DELTA-CONNECTED

SH 1 of 1

Marketing maintained PDF of MN408:

<http://www.baldor.com/support/Literature/Load.ashx/MN408?ManNumber=MN408>

Marketing maintained PDF of MN416:

<http://www.baldor.com/support/Literature/Load.ashx/MN416?ManNumber=MN416>